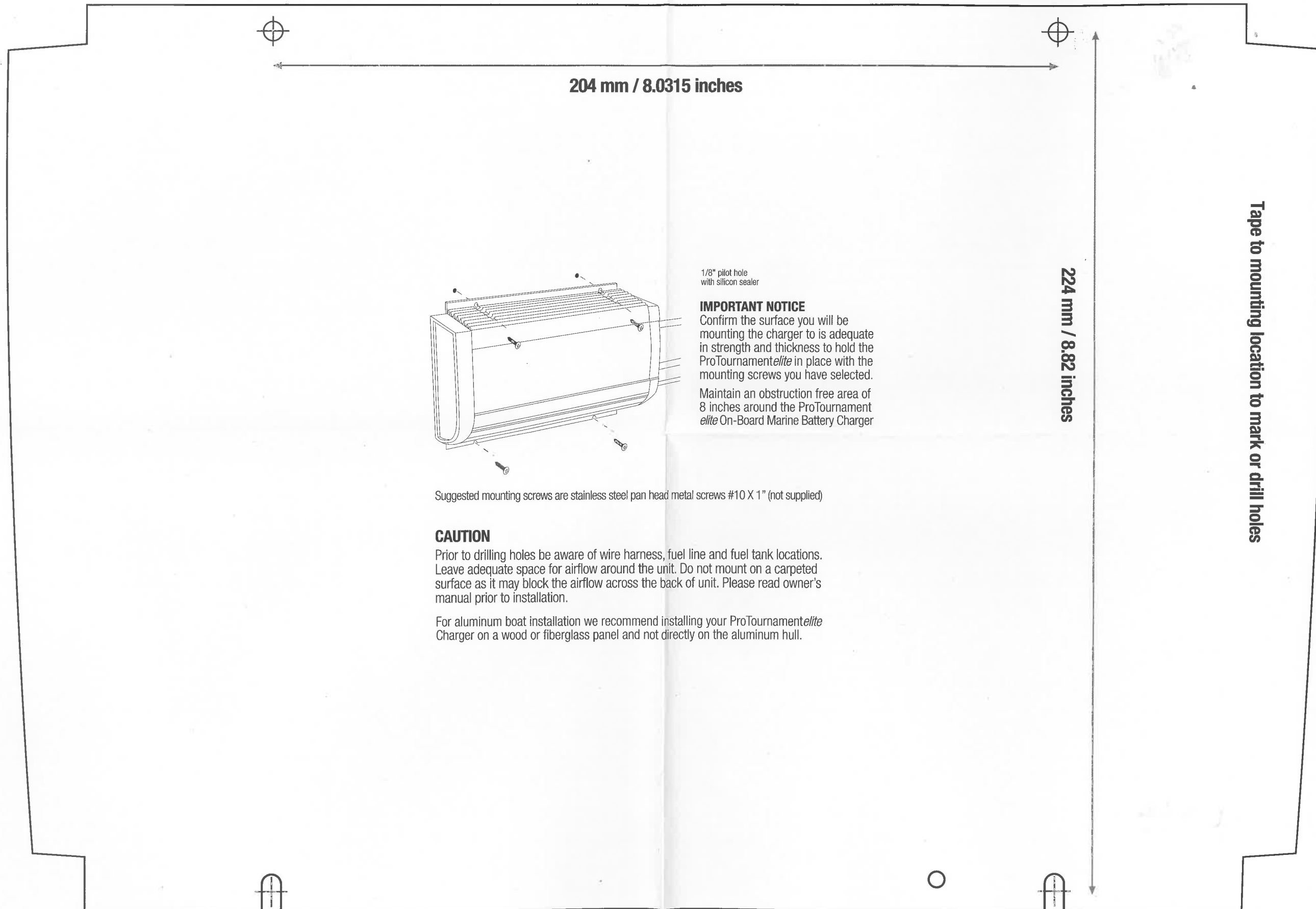


# ProTournament<sup>elite</sup> Mounting Template

For ProTournament360<sup>elite</sup> Models

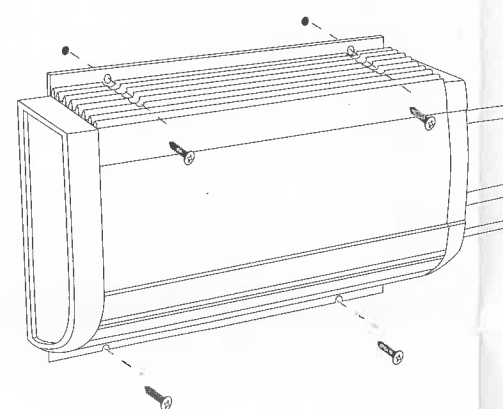
EDGE OF PROTOURNAMENT360<sup>elite</sup> UNIT



204 mm / 8.0315 inches

224 mm / 8.82 inches

Tape to mounting location to mark or drill holes



1/8" pilot hole  
with silicon sealer

### IMPORTANT NOTICE

Confirm the surface you will be mounting the charger to is adequate in strength and thickness to hold the ProTournament<sup>elite</sup> in place with the mounting screws you have selected.

Maintain an obstruction free area of 8 inches around the ProTournament <sup>elite</sup> On-Board Marine Battery Charger

Suggested mounting screws are stainless steel pan head metal screws #10 X 1" (not supplied)

### CAUTION

Prior to drilling holes be aware of wire harness, fuel line and fuel tank locations. Leave adequate space for airflow around the unit. Do not mount on a carpeted surface as it may block the airflow across the back of unit. Please read owner's manual prior to installation.

For aluminum boat installation we recommend installing your ProTournament<sup>elite</sup> Charger on a wood or fiberglass panel and not directly on the aluminum hull.