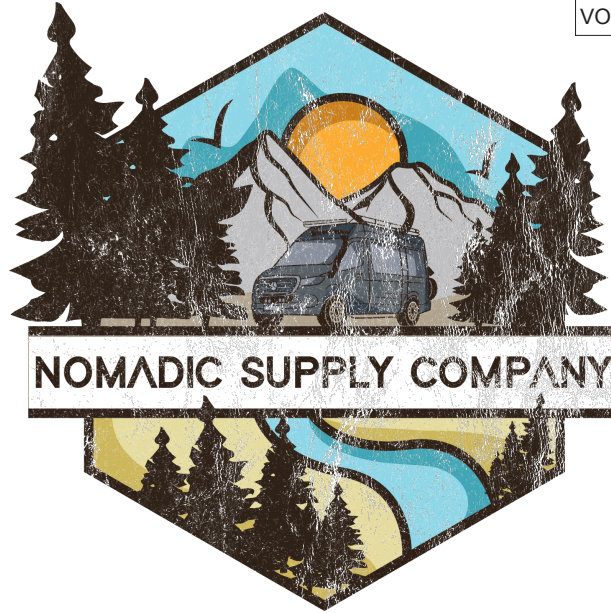


**AE** A&E Systems

When ordering parts, always state:  
MODEL NO. - PRODUCT NO. - QUANTITY -  
PART NUMBER - DESCRIPTION  
For Electric Details also state:  
VOLTAGE - WATTAGE



**USA**  
SERVICE OFFICE  
Dometic Corporation  
2320 Industrial Parkway  
Elkhart, IN 46516  
574-294-2511

**CANADA**  
Dometic Corporation  
46 Zatonski, Unit 3  
Brantford, ON N3T 5L8  
CANADA  
519-720-9578

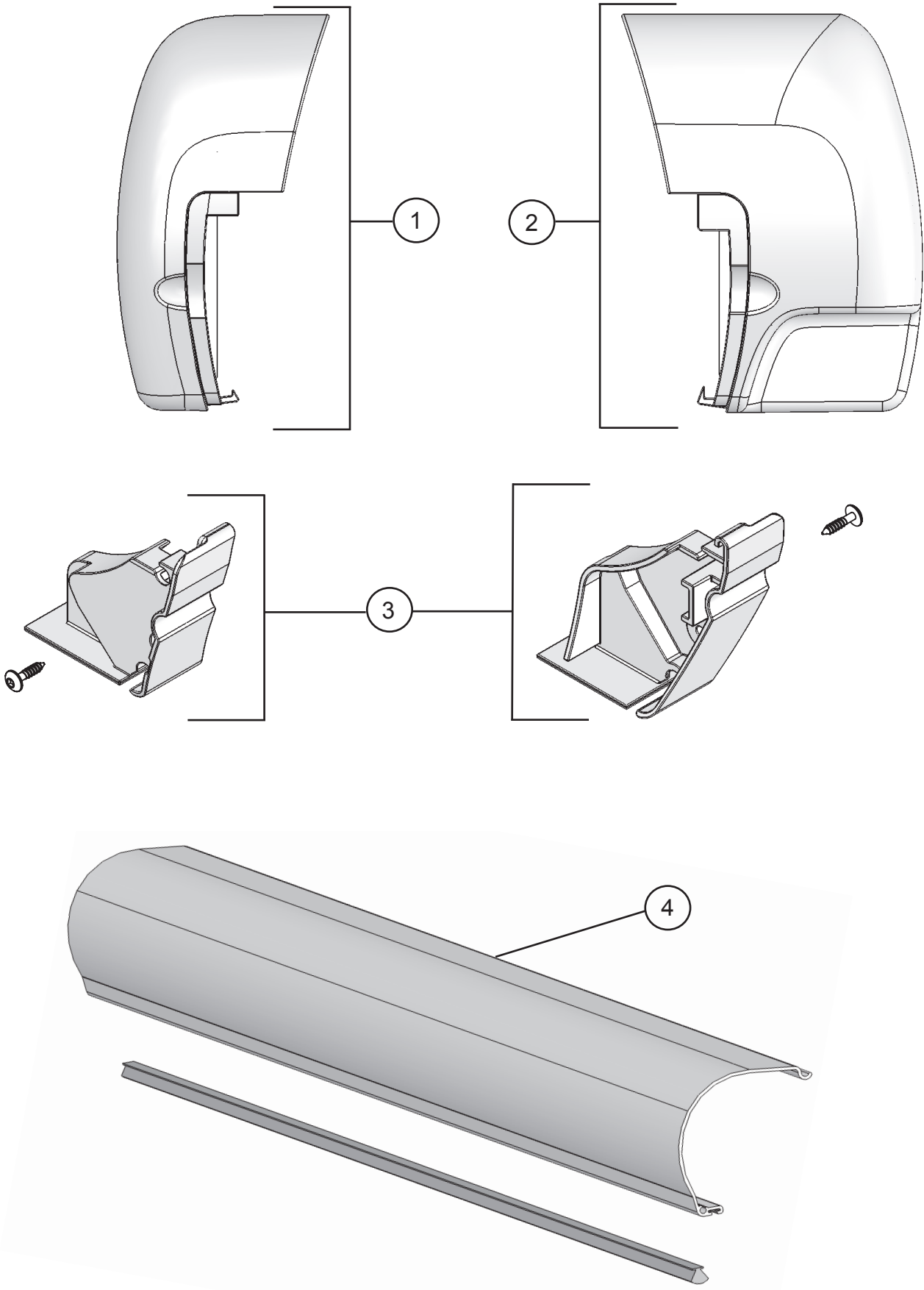
**For Service Center  
Assistance Call:**  
800-544-4881

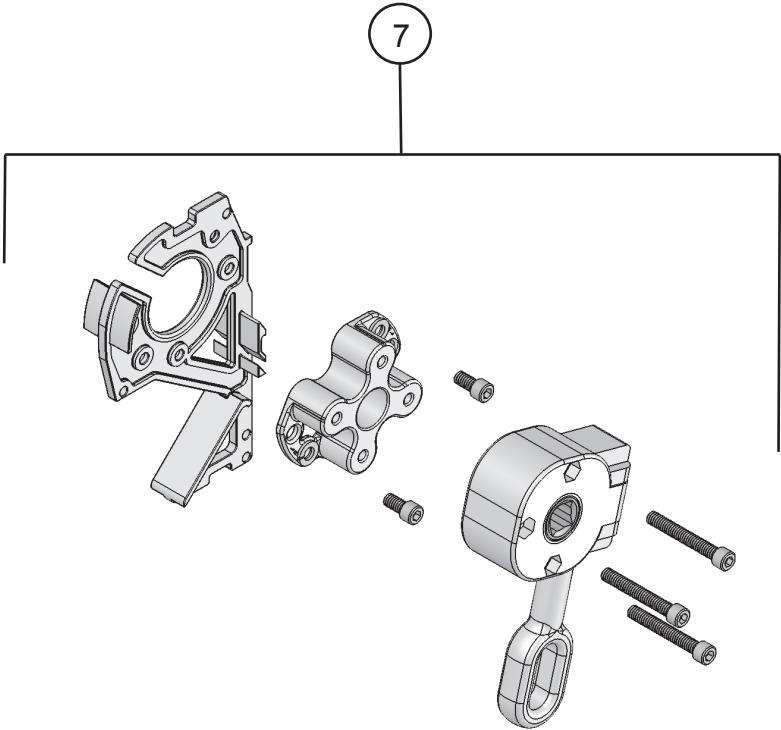
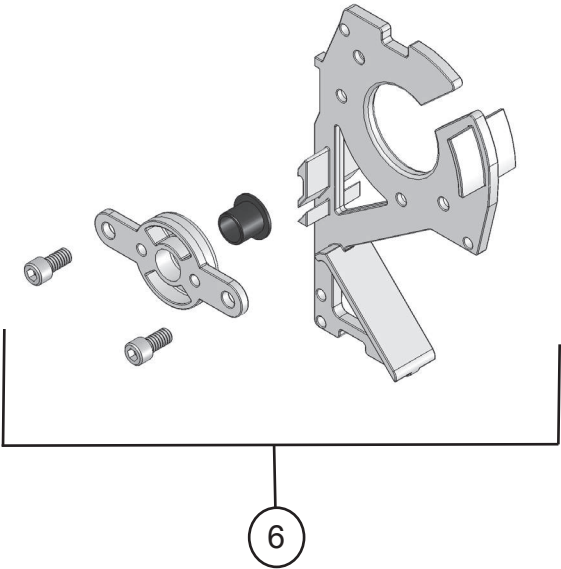
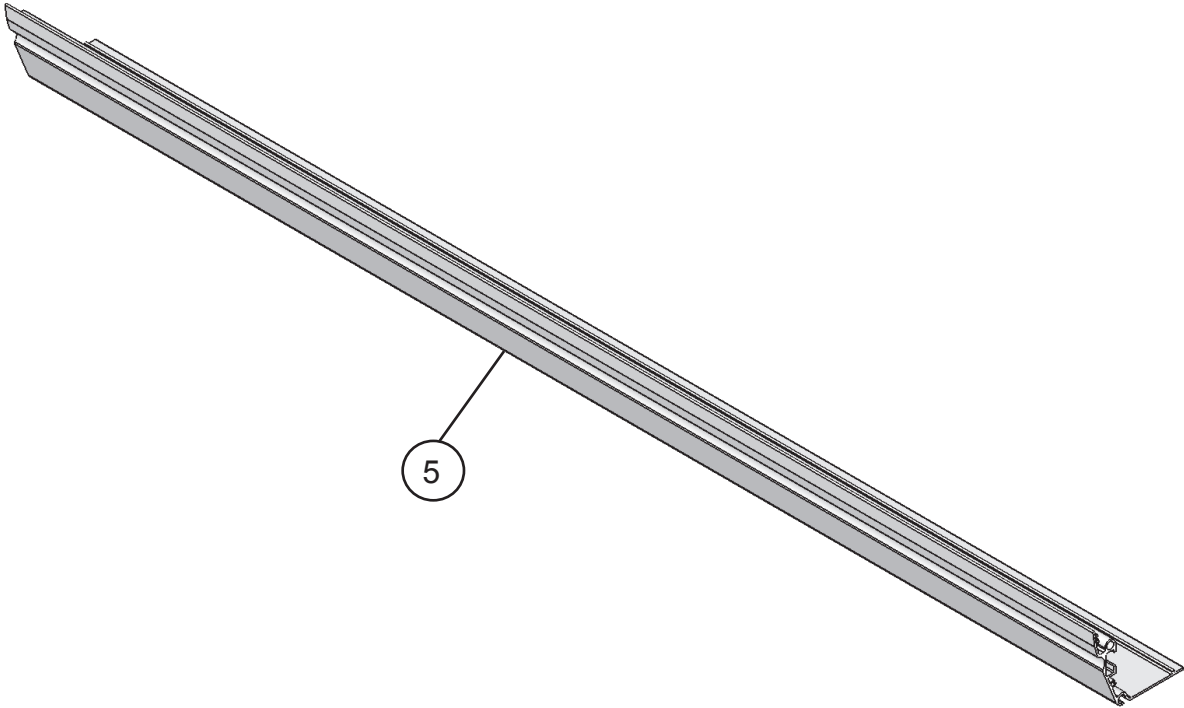
**AE HORIZON**

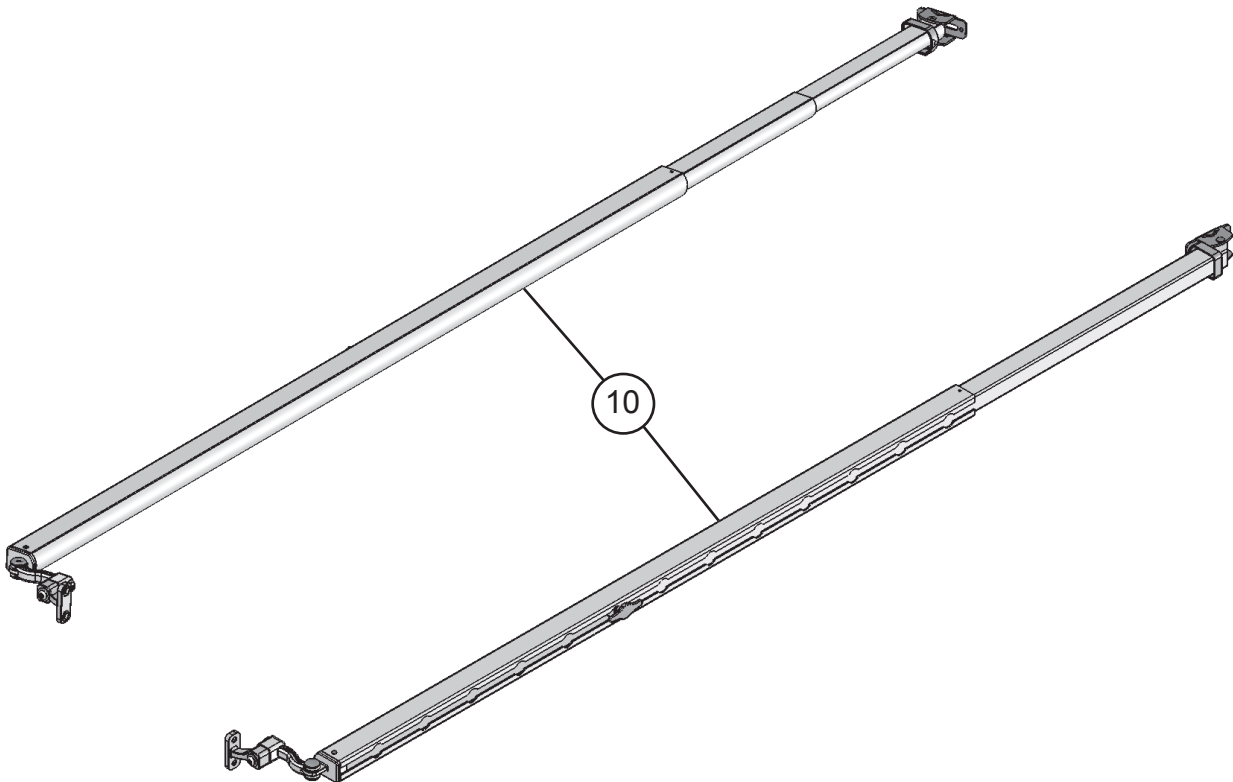
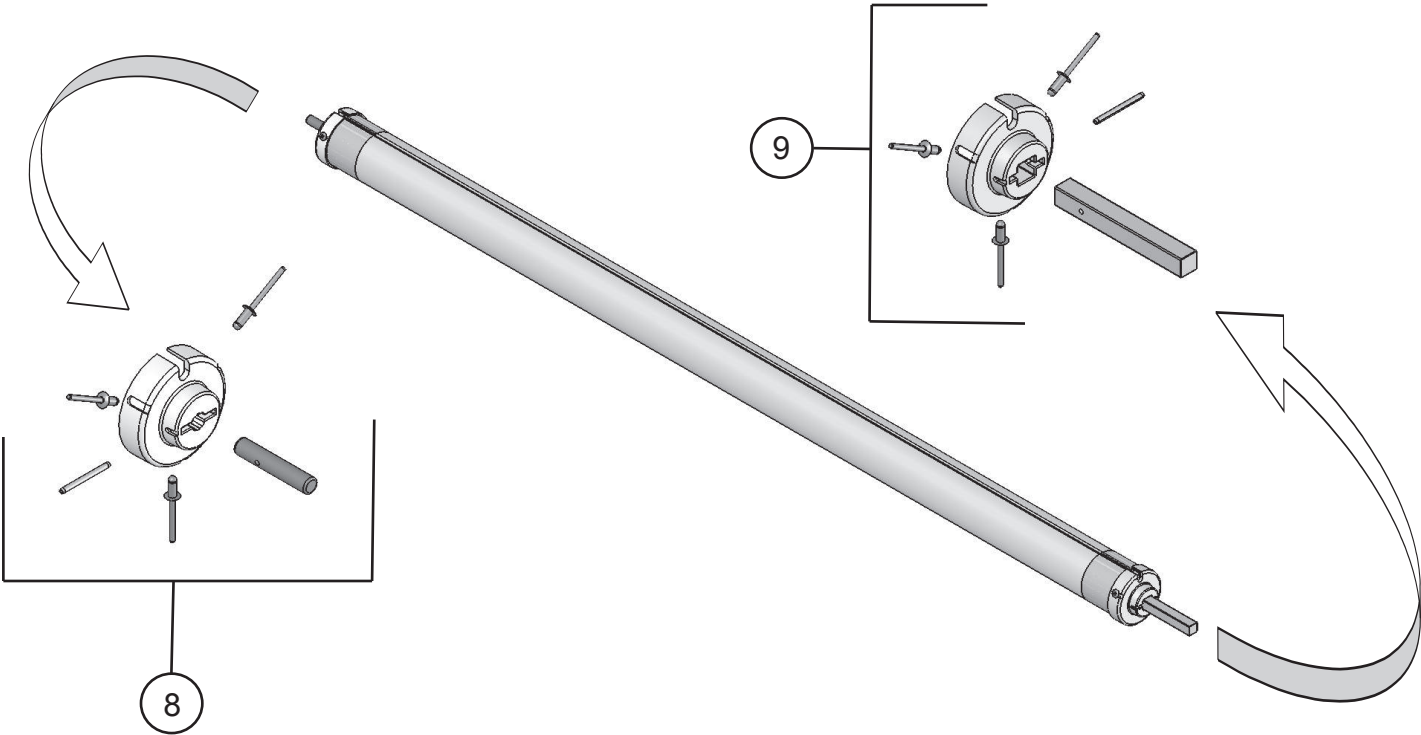
# PARTS LIST

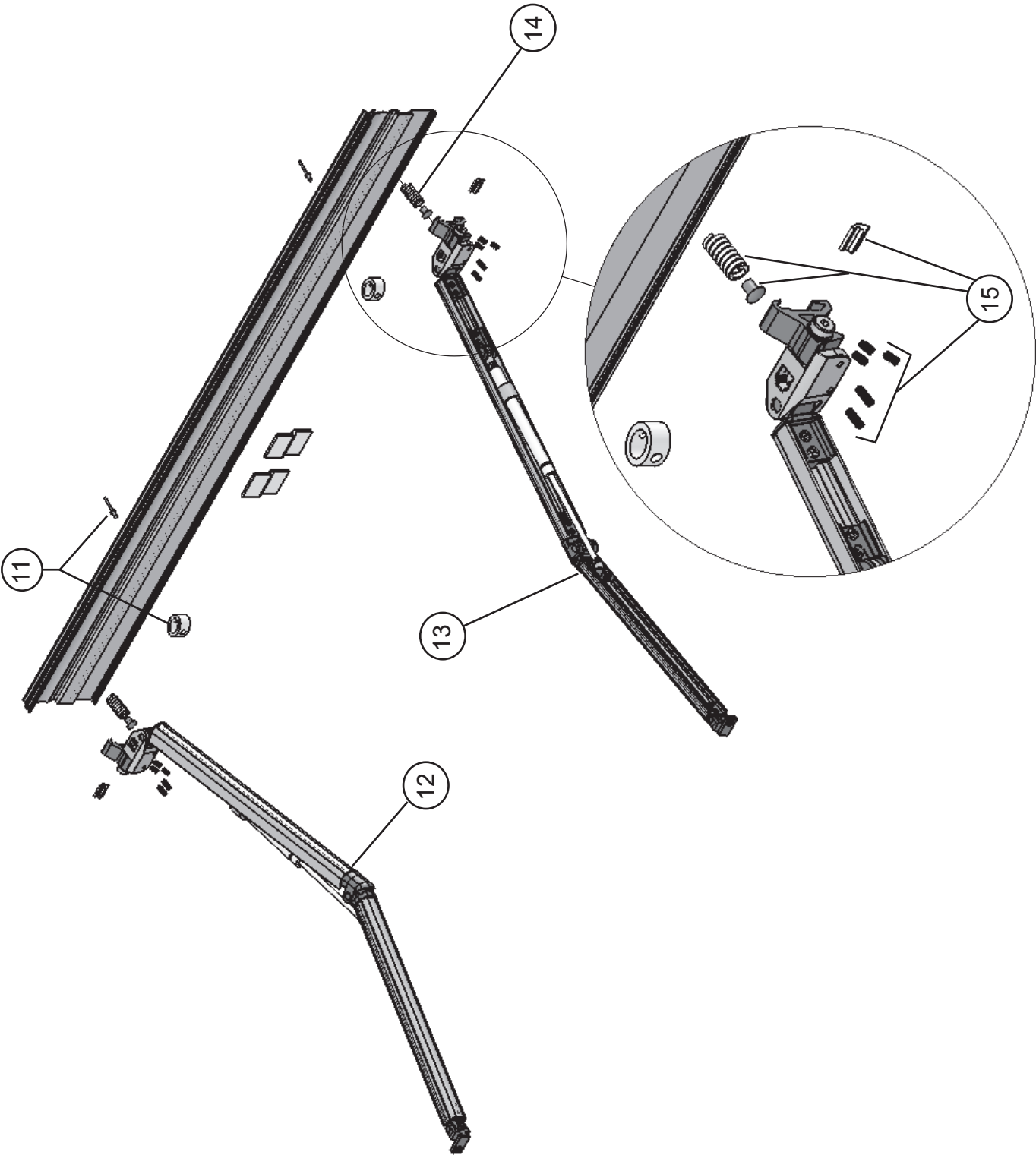
**MODEL**  
**920(XX)(XX).010B**  
**Series**

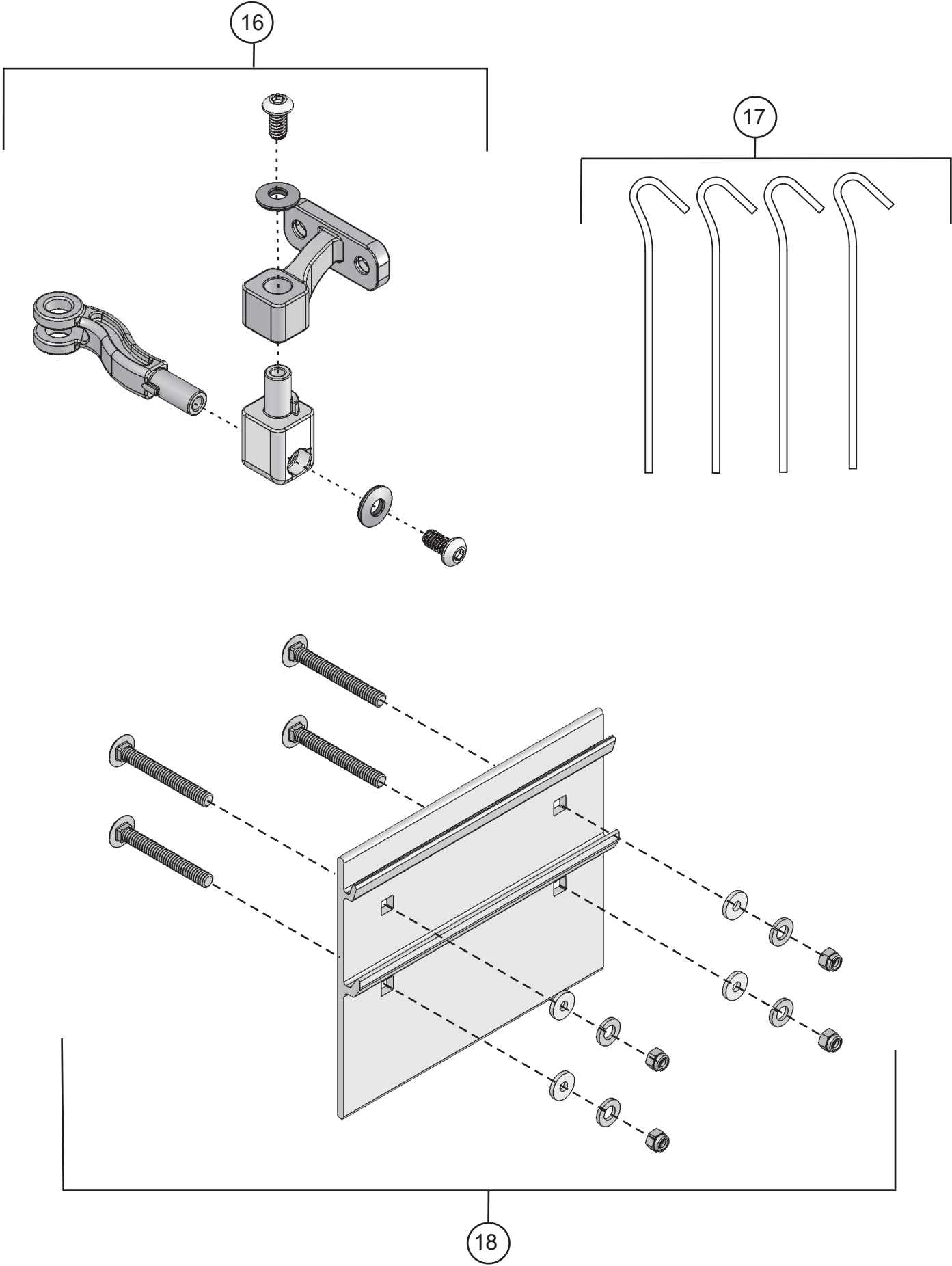


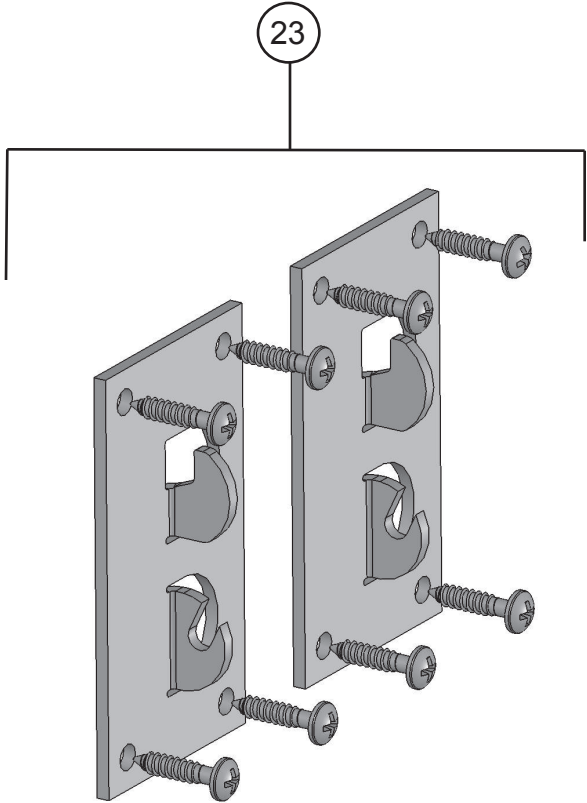
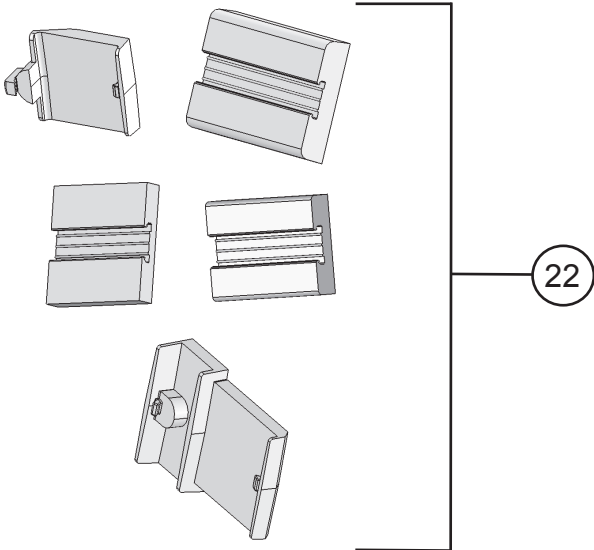
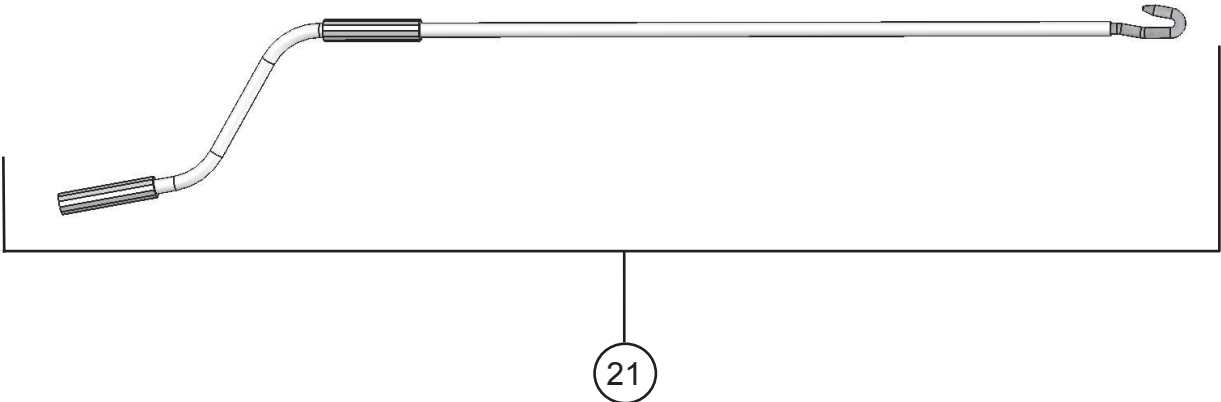














ITEM	DESCRIPTION	PART NUMBER	AWNING SIZE					
			2.5m	3.0m	3.5m	4.0m	4.5m	5.0m
1	LH Case Cap	3310769.017B	X	X	X	X	X	X
2	RH Case Cap	3310770.015B	X	X	X	X	X	X
3	Leadrail Caps	3310763.010	X	X	X	X	X	X
4	Top Cover	3310774.008B	X					
		3310774.010B		X				
		3310774.012B			X			
		3310774.013B				X		
		3310774.015B					X	
		3310774.016B						X
5	Front Bar	3310771.108B	X					
		3310771.110B		X				
		3310771.112B			X			
		3310771.113B				X		
		3310771.115B					X	
		3310771.116B						X
6	Idler Support Assembly	3310772.000S	X	X	X	X	X	X
7	Drive Support Assembly	3310773.000S	X	X	X	X	X	X
8	Idler Cap Assembly	3310767.000S	X	X	X	X	X	X
9	Drive Cap Assembly	3310768.000S	X	X	X	X	X	X
10	Rafter Assembly	3310779.000	X					
		3310779.016		X				
		3310779.024			X	X	X	X
11	Arm Bumper	3310777.000	X	X	X	X	X	X
12	Arm Assembly, LH	3310765.100Q	X					
		3310765.115Q		X				
		3310765.123Q			X	X	X	X
13	Arm Assembly, RH	3310766.100Q	X					
		3310766.113Q		X				
		3310766.121Q			X	X	X	X
14	Spring Compression Kit	3310775.000	X	X	X	X	X	X
15	Arm Mounting	3310764.000	X	X	X	X	X	X
16	Pivot Assembly	3310782.000	X	X	X	X	X	X
17	Tie Down Stake	3106024.007	X	X	X	X	X	X
18	*Wall Bracket Assembly	3310776.000	X	X	X	X		
		3310776.012					X	X

\* For part number 3310776.000 contains 3 brackets and part number 3310776.012 contains 4 brackets as illustrated on page 7 item 14.

ITEM	DESCRIPTION	PART NUMBER	AWNING SIZE					
			2.5m	3.0m	3.5m	4.0m	4.5m	5.0m
19	Crank Handle	3310783.000	X	X	X	X	X	X
20	Screw Covers	3310785.000	X	X	X	X	X	X
21	Rafter Wall Brackets	3311003.000	X	X	X	X	X	X
22	*Replacement Fabric	X3310163YY.008	X					
		X3310163YY.010		X				
		X3310163YY.012			X			
		X3310163YY.013				X		
		X3310163YY.015					X	
		X3310163YY.016						X

\* For the replacement fabric substitute the "X" with a "B" for boxed fabric, and  
"R" for rolled fabric being shipped in tubes.

\*For "YY" substitute fabric color code on from page 2.

Only Those Parts Identified With An Index Number Are Available For Service Replacement.