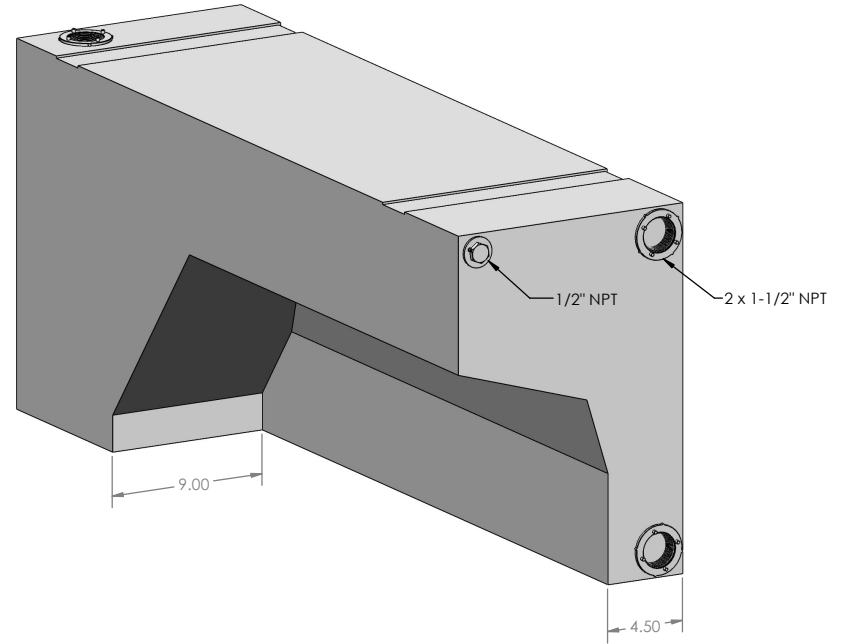
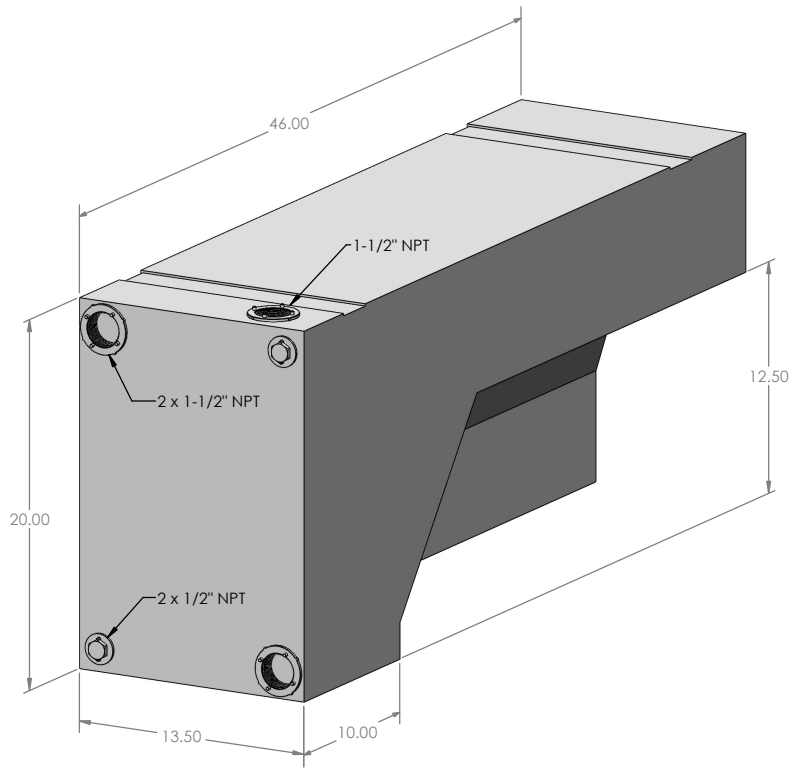


PROPRIETARY AND CONFIDENTIAL
 THE INFORMATION CONTAINED IN THIS DRAWING IS THE SOLE PROPERTY
 OF S&B FILTERS, INC. ANY REPRODUCTION IN PART OR AS A WHOLE
 WITHOUT THE WRITTEN PERMISSION OF S&B FILTERS, INC. IS PROHIBITED.



UNLESS OTHERWISE SPECIFIED: DIMENSIONS ARE IN INCHES TOLERANCES: FRACTIONAL $\pm 1/16$ ANGULAR: MAXIMUM $\pm 25^\circ$ BEND $\pm 1^\circ$ TWO PLACE DECIMAL ± 0.05 THREE PLACE DECIMAL ± 0.005 INTERPRET GEOMETRIC TOLERANCING PER: ASME Y14.5M-1994	DRAWN	NAME	DATE	TITLE: Untrimmed 10-3007 Water tank
	CHECKED	A.C.	03/22/2023	
	MATERIAL	LLDPE POLYMER POWDER		
	FINISH	SEE NOTES		
	SIZE	DWG. NO.	REV	
	C	TU10-3007-UT	A	
SCALE: 1:5 DO NOT SCALE DRAWING SHEET 1 OF 1				