

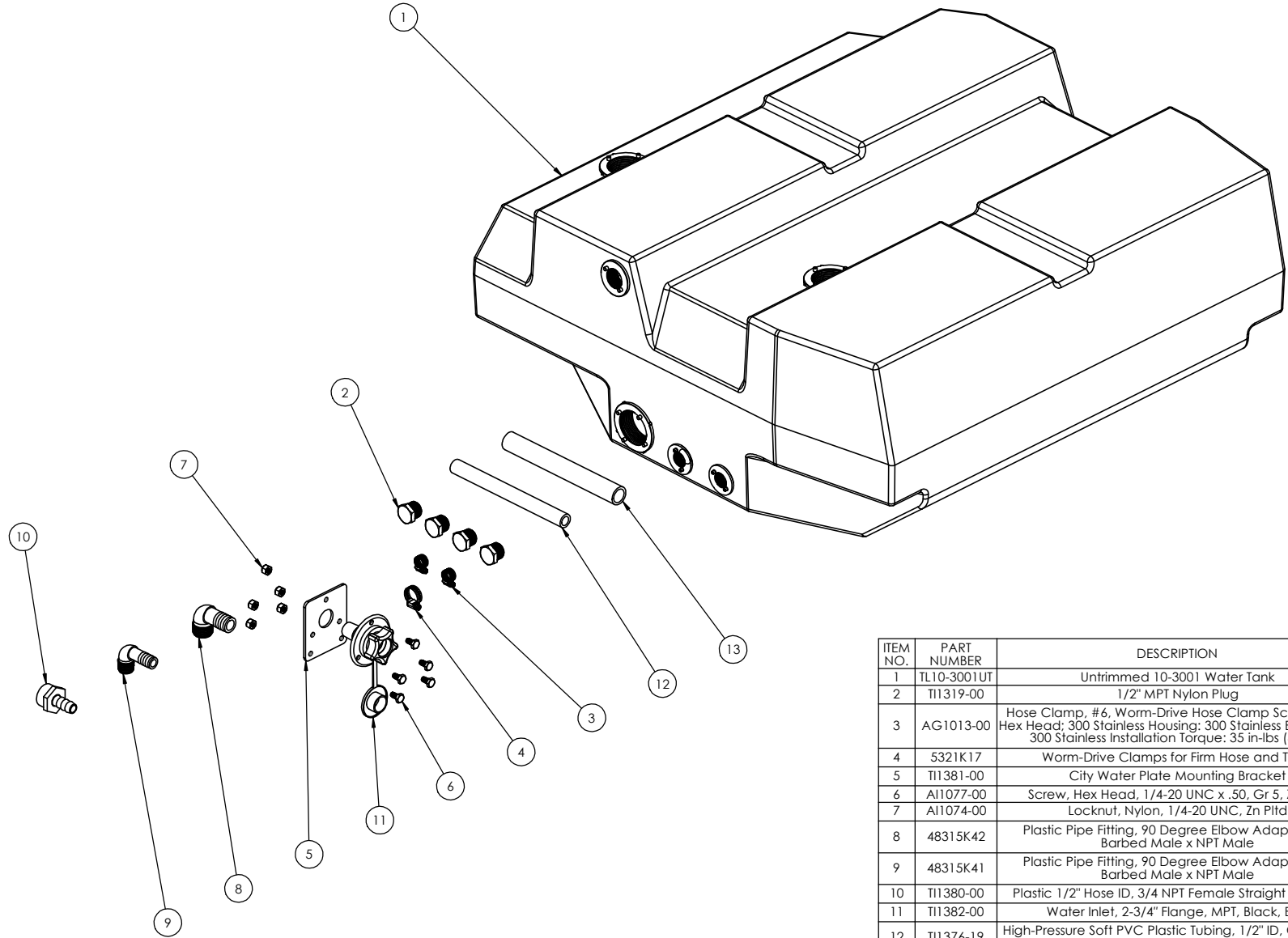
PROPRIETARY AND CONFIDENTIAL
 THE INFORMATION CONTAINED IN THIS DRAWING IS THE SOLE PROPERTY
 OF S&B FILTERS, INC. ANY REPRODUCTION IN PART OR AS A WHOLE
 WITHOUT THE WRITTEN PERMISSION OF S&B FILTERS, INC. IS PROHIBITED.

4

3

2

1



ITEM NO.	PART NUMBER	DESCRIPTION	QTY.
1	TL10-3001UT	Untrimmed 10-3001 Water Tank	1
2	TI1319-00	1/2" MPT Nylon Plug	4
3	AG1013-00	Hose Clamp, #6, Worm-Drive Hose Clamp Screw: 5/16" Hex Head; 300 Stainless Housing; 300 Stainless Band; 9/16" 300 Stainless Installation Torque: 35 in-lbs (4 Nm)	2
4	5321K17	Worm-Drive Clamps for Firm Hose and Tube	1
5	TI1381-00	City Water Plate Mounting Bracket	1
6	AI1077-00	Screw, Hex Head, 1/4-20 UNC x .50, Gr 5, Zn Pltd	5
7	AI1074-00	Locknut, Nylon, 1/4-20 UNC, Zn Pltd	5
8	48315K42	Plastic Pipe Fitting, 90 Degree Elbow Adapter, 3/4 Barbed Male x NPT Male	1
9	48315K41	Plastic Pipe Fitting, 90 Degree Elbow Adapter, 1/2 Barbed Male x NPT Male	1
10	TI1380-00	Plastic 1/2" Hose ID, 3/4 NPT Female Straight Adapter	1
11	TI1382-00	Water Inlet, 2-3/4" Flange, MPT, Black, Bulk	1
12	TI1376-19	High-Pressure Soft PVC Plastic Tubing, 1/2" ID, Clear, CUT 19"	1
13	TI1377-58	High-Pressure Soft PVC Plastic Tubing, 3/4" ID, Clear, CTU 58"	1

UNLESS OTHERWISE SPECIFIED:
 DIMENSIONS ARE IN INCHES
 TOLERANCES:
 FRACTIONAL 1/16"
 ANGULAR: MATCH .25° BEND 1°
 TWO PLACE DECIMAL .05"
 THREE PLACE DECIMAL .005"
 INTERPRET GEOMETRIC TOLERANCING PER: ASME Y14.5M-1994

NAME	DATE	TITLE
A.C.	25/04/2023	37 Gal Sprinter Spare Wheel Water Tank
DRAWN	CHECKED	MATERIAL
		SEE BOM
FINISH		

SIZE	DWG. NO.	REV
C	10-3001-00	A

SCALE: 1:4 DO NOT SCALE DRAWING SHEET 1 OF 1

4

3

2

1