



[FLARESPACE]
for the  of vans®

UPDOG REAR STEP

INSTALLATION INSTRUCTIONS



LET'S GO!!

Thank you for your purchase. This is an easy install but please read these installation instructions before getting rolling with this project.

Safety glasses are strongly recommended for any installation. Take your time and be mindful with the tools as personal harm and/or damage is possible if you're not careful.

Only install this product with the supplied hardware as substituting or modifying hardware could damage your awesome rig.

Thank you for supporting the overlanding community. We are jealous that we can't join you out on the open road and beyond, but sincerely hope this product will enrich your travels.

- Your friends at Flarespace

PARTS INCLUDED:

1. (1) Updog Rear Step
2. (2) ½" #13 Bolt 1.5" Long
3. (4) ½" Washers
4. (2) ½" #13 Nylock Nuts
5. (1) ¼" #20 Bolt 1" Long
6. (1) ¼" Nylock Nut
7. (2) ¼" Washers

TOOLS NEEDED:

1. Socket and Wrench Set with ¾" and 7/16" Sockets.



STEP 1:

Remove existing step (if applicable)



STEP 2:

Place Updog Step into position lining up (2) side holes and (1) top hole.



STEP 3:

Insert (2) ½" #13 X1.5" Bolts into the (2) side holes on right hand side of step. Note: Each Bolt requires (2) Washers: one on Bolt side and one on Nut side. Attach ½" Nylock Nuts and hand tighten.



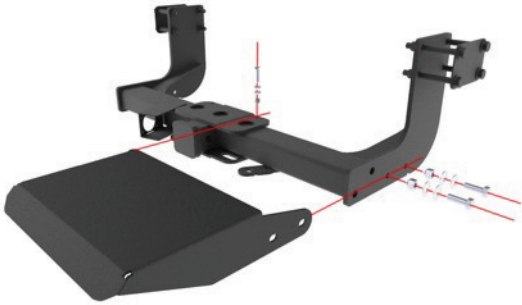
Tech Tip: This is best accomplished from underneath your vehicle.



STEP 4:

Insert (1) 1/4" #20 X 1" Bolt into top hole. Add 1/2" #13 Nylock Nut to Bolt and hand tighten.

Note: The bolt receives a washer on bolt side and nut side. This step is best completed from underneath vehicle.



STEP 5:

**Tighten 1/4" Bolt and Nut using 7/16" Wrench and Socket.
Tighten 1/2" Bolts with 3/4" Socket and Wrench.**

You're finished! Nice work.



YOUR WARRANTY

Subject to the limitations and exclusions described in this warranty, Flarespace will remedy defects in materials or workmanship by repairing or replacing, at its option, a defective product without charge for parts or labor. In addition, Flarespace may elect, at its option, not to repair or replace a defective product but rather issue to a purchaser a refund equal to the purchase price paid for the product or a credit to be used toward the purchase of a new Flarespace product.

This warranty excludes problems caused by normal wear and tear including, but not limited to, scratches, dents, tears, or aesthetic oxidation of surfaces, natural breakdown of colors and materials over extended time and use, commercial use, accidents, or unlawful vehicle operation. No warranty is given for defects resulting from conditions beyond Flarespace's control including, but not limited to, modifications or repairs not performed or authorized by Flarespace, misuse, overloading, or failure to assemble, install or use the product in accordance with Flarespace's written instructions or guidelines included with the product or made available to the purchaser originally.

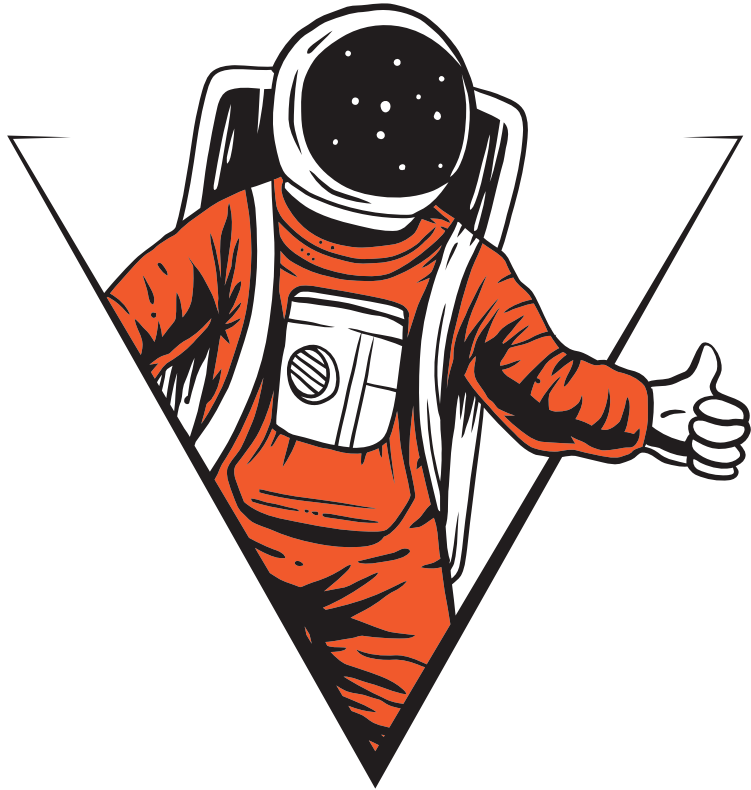
Items purchased from dealers may either be returned to the place of purchase and they will facilitate your warranty or you may work directly with Flarespace. Warranties are non-transferable..

HOW DO I SUBMIT A WARRANTY CLAIM?

Email info@flarespace.com and include the following:

When the product was purchased, what the issue is, and photo(s) of the product highlighting the area of issue.

We are available Monday - Friday from 9am-5pm MT, and will try to reply to your email within 2 business days or as soon as possible.



FLARESPACE.COM
COPYRIGHT © 2022
FLARESPACE, LLC.
ALL RIGHTS RESERVED