

Instruction manual

4-channel amplifier for living room systems

Congratulations on the purchase of your new amplifier!



Equipment:

- 4-channel mini amplifier
- Load stable up to 2 ohms per channel
- Extremely wide input sensitivity from 0.1 to 5 V
- Efficient safety system (MWPC) against overheating, overvoltage and short circuit
- AUX (TV) / AUX (BT)
- Input 4-channel high level (loudspeaker) as well as low level (RCA Cinch) possible

Technical data:

Operating voltage: 10 - 16 V
output power at 14.4 V

- RMS power @ 4 Ohm stereo: 4x 35 W
- RMS power @ 2 Ohm stereo: 4x 50 W

Signal-to-noise ratio: > 88 dB

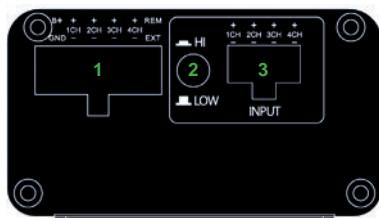
Input sensitivity: 100 mV ~ 5 V (+/- 5%)

Dimension: 162(L) x 45(H) x 80(L) mm

High-pass filter (HPF) channel 1-2: 50 to 4000 Hz
High-pass filter (HPF) channel 3-4: 50 to 400 Hz
Low pass filter (LPF) channel 3-4: 80 to 2000 Hz
Transmission frequency: 50 Hz ~ 20 KHz (+/- 1 dB)
Distortion factor at 4 ohms at 1/2 rated power: < 0.03% Fuse: 1x 15A

Before installing the amplifier, read the operating instructions carefully and follow the instructions regarding connection and installation to the letter. Observe the regulations and instructions of your car manufacturer. The use of music systems can obstruct the hearing of important traffic sounds and thus cause hazards while driving.

Brief overview AMP V40 CampTec



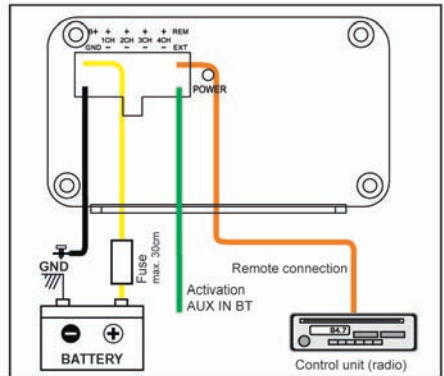
1. connector power supply/speaker output 12-pin Molex Minifit Junior.
2. switch HI/LOW input
3. speaker input 8-pin Molex/Microfit. (High/Low Level) with suitable input cables for 8Pin Molex/Microfit.



1. high-pass filter CH 1/2
2. high-pass filter CH 3/4
3. low-pass filter CH 3/4
4. low-pass filter ON/OFF
5. volume control (volume) CH 1-4
6. AUX/jack input BT
7. AUX/jack input TV
8. sensitivity adjustment AUX BT / AUX TV
9. „ON/OFF“ -LED

Power connection

1. **disconnect the power supply:** First, disconnect the vehicle's power supply. This is best done by disconnecting the ground cable from the battery.
2. **ground connection:** Connect the GND (ground) connection of the power amplifier to the vehicle body. Use an adequate cross-section (4 mm²). Make sure that the ground connection to the vehicle body is free of paint, dirt and dust.



3. **+12-volt power connection:** The +12-volt connection of the power amplifier must be connected directly to the car battery with the supply cable via a fuse. Please note that the maximum cable length from the fuse holder to the car battery is 30 cm. A prerequisite for proper functioning of the output stage is a high-quality fuse holder and sufficient cable cross-sections (4 mm²). This fuse protects the device and the vehicle from possible short circuits in the power cable.
4. **remote connection:** To use the amplifier via the RCA input, connect the REM connector of the power amplifier to the remote output (12 V circuit for amplifier or automatic antenna) of the control unit. Use a 0.5 mm² power cable for this purpose.

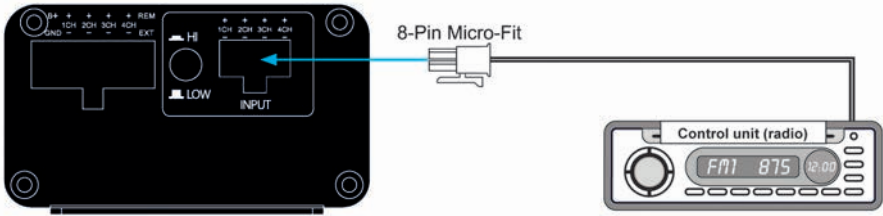
⚠ ATTENTION! The following instructions must be observed when installing your amplifier: ⚠

1. Ensure professional mounting. Make sure that no electrical cables, gas tank, hydraulic brake lines or other components are damaged.
2. There must be sufficient cooling as well as air circulation. Avoid mounting in enclosures that are too small or near parts that radiate heat.
3. Protect the amplifier from liquids, moisture, heat, foreign bodies and other external influences.
4. The amplifier is only to be installed in motor vehicles with a 12-volt power supply.
5. The power supply cables must never be connected with other supply cables of the motor vehicle gasoline lines, fan motors, fire control modules, etc.
6. To avoid interference with the music signal, the signal cables (RCA cables) and speaker cables must be routed far away from the power cables.
7. The connection cables of your power amplifier must be laid out in such a way that there is no danger of clamping, crushing or breaking.

We assume no responsibility for hearing damage, physical damage or property damage resulting from the use or misuse of the product.

We recommend that you have the installation carried out by a specialist workshop (installation specialist), as a professional installation and connection is the prerequisite for a perfect sound result.

Connection of radio to power amplifier (loudspeaker as well as RCA cinch input)



The amplifier can be operated with high level (loudspeaker) or low level signal (RCA Cinch). The 8-pin microfit adapter is connected to the outputs on the car radio (RCA OUT or ISO plug Block-B) connected. The corresponding input source must be selected via the HIGH/LOW button on the amplifier.

To use the amplifier via RCA-IN, the Remote-IN line (orange) must be connected to Remote-OUT on the car radio.

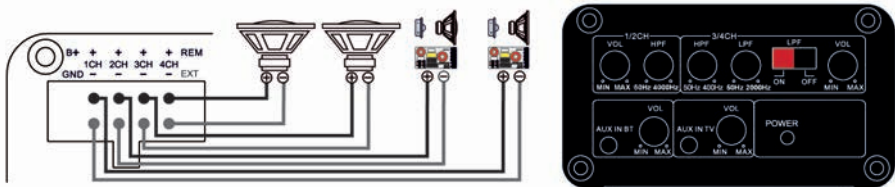
With the help of the gain controls and the variable crossovers, the power amplifier can be adjusted to the conditions in the vehicle as well as the speakers individually and to one's own taste.

Signal Detection (automatic switching on of the amplifier by sound signal)

- The amplifier turns on automatically in TV mode by signal detection.
- To use Bluetooth AUX, the green EXT cable (on the 12 pin Molex minifit Jr. connector) must be connected to the blue remote out cable of the bluetooth module (excl. accessories).
- To use the RCA (cinch) input, the remote cable of the amplifier must be connected to the remote output cable of the radio.
- To avoid unwanted source changes, only one source should be used at a time. Either TV, BT or RCA.

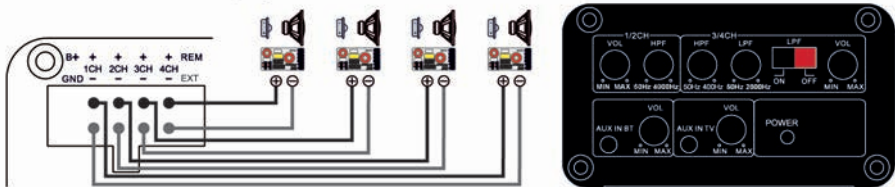
High-pass as well as low-pass filter settings must be adjusted to the respective technical specifications of the connected speakers.

connection of 4x living space boxes / 2x woofer



Loudspeaker impedance 2 ~ 4 Ohm

connection of 4x living space boxes



Loudspeaker impedance 2 ~ 4 Ohm

Troubleshooting

This amplifier has an efficient safety system (MWPC) against overheating, over-voltage, short circuit and against DC voltage at the speaker output. In case of a fault, the Protection LED will light up red. To check the problem, first turn down the volume of the control unit and switch it off.

Power amplifier does not switch on, no LED lights up.	<ul style="list-style-type: none"> - Ground cable properly connected? - +12V power cable properly connected? - Remote cable properly connected? - Fuses inserted or in order? - Check voltages with measuring device at amplifier
Power amplifier no sound, POWER LED lights green.	<ul style="list-style-type: none"> - RCA cable in order and properly connected? - Speakers properly connected? - Control unit in order?
Power stage switched on, PROTECTION LED lights up red.	<ul style="list-style-type: none"> - Power amplifier too hot? - Short circuit of a speaker cable with the car chassis (ground)? - Input voltage too high (e.g. defective alternator)?
Overheating (Red PROTECTION LED lights up when the power amplifier is switched on).	<ul style="list-style-type: none"> - Impedance of the loudspeakers OK? - Fault in the loudspeakers? - Sufficient ventilation of the power amplifier? <p>ATTENTION! The amplifier switches on again automatically after cooling down!</p>
Power amplifier fuse defective.	<ul style="list-style-type: none"> - Ground connected properly? - Impedance of the speakers OK? <p>ATTENTION! When changing the fuses, a replacement of equal value must be used!</p>
Volume too low or distorted.	<ul style="list-style-type: none"> - Input regulator "GAIN" adjusted at the control unit? - Output level of the control unit OK? - Transmission range of the frequencies checked? - (In the control unit, amplifier, DSP, sound processor, equalizer, passive crossover, etc.)
Noise in the speakers.	<ul style="list-style-type: none"> - Ground connection properly connected? - Short circuit of the speaker cables with ground (car)? - Cinch cable (RCA) and/or speaker cable routed too close to the power supply cable? - Cinch ground (RCA) of the control unit OK?
No/too little bass.	<ul style="list-style-type: none"> - Connection made correctly? - Change controller ½ (subwoofer). - Cinch ground (RCA) of the control unit OK?
Jack connector does not work.	<ul style="list-style-type: none"> - Connection diagram observed?

If the amplifier does not work after checking the error list, contact your specialist dealer! For warranty services / repairs the original invoice must be enclosed!

Opening the amplifier will void the warranty in any case!